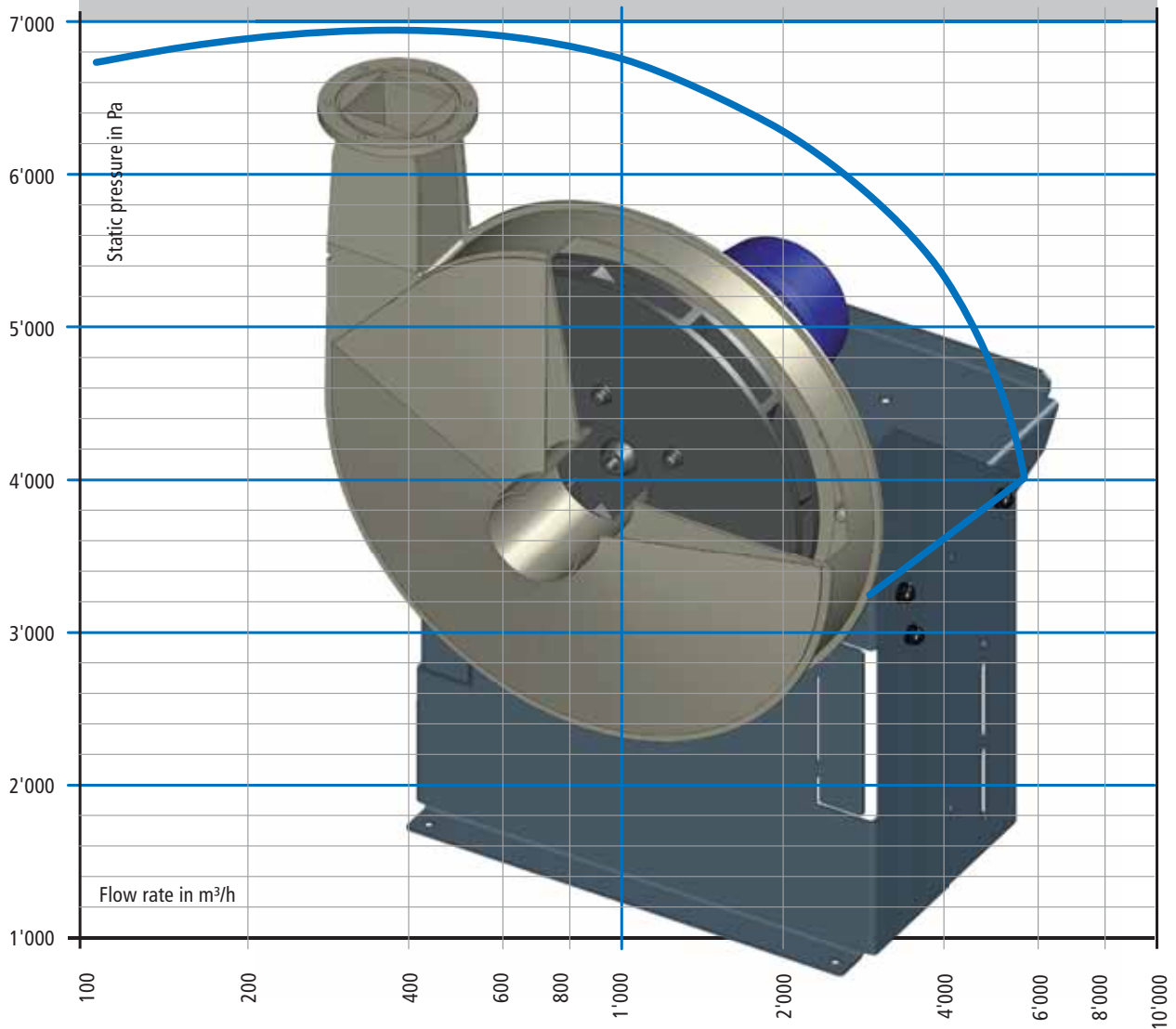


FANS

CHVS 63 - 250



High pressure
radial fan in plastic
Direct- or V-belt drive



www.colasit.com

Performance

Flow rate:	min. 60 m ³ /h to max. 5'300 m ³ /h
Static pressure:	min. 450 Pa to max. 7'000 Pa
Efficiency:	max. 77 %
Inlet-Ø:	63, 90, 125, 160, 200, 250 mm

Housing

- Self-supporting plastic construction, welded
- available in: PP, PPs, PPs-el, PE, PVC, PVDF
- 6 different outlet positions

Impeller

- 12 backward curved blades
- Mechanically welded
- available in: PP, PPs-el, PVDF

Support

- Dimensionally stable sheet metal
- Support and motor plate
 - powder-coated
 - stainless steel

Drive

- | | |
|---------------|--|
| Direct drive: | - Impeller is mounted directly onto the motor shaft |
| V-belt drive: | - Power transmission over v-belt with flange
- Simple tensioning system for easy adjustment or replacement of belts |
| Motor: | - Standard three-phase motor <ul style="list-style-type: none"> - one / multi-stage - foot motor |

EX-Protection

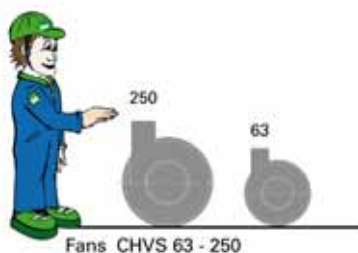
In ATEX. Available in zone 1+2

Hub Seal

- Standard hub seals
- Lip seal simple or double (V4A or Hastelloy)
- Back absorption
- Sealling gas
- Back plates

Accessories

- PVC sleeve with fixing bands, stainless
- PVC sleeve with flange
- Counterflange
- Drain
- Vibration absorber for ground erection or ceiling suspension
- Splinter protection
- Weather-proof motor cover for outside installation
- Frequency converter IP 66 / IP 54 / IP 20

Dimensions

COLASIT AG
Plastic construction
CH-3700 Spiez

