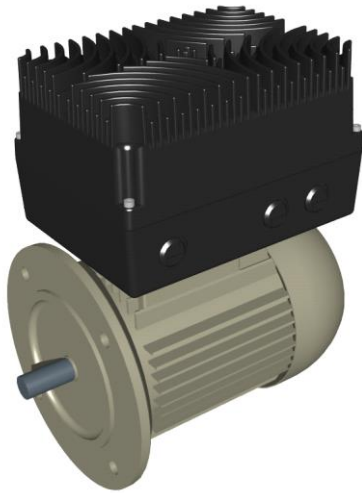


### Speed control with frequency converter

#### Motor with frequency converter



- Protection class IP 66
- 0.37-7.5 kW
- Stepless speed adjustment through:
  - Potentiometer.
  - Externes control signal
- Inputs:
  - 1x Analog 0...10V (0...24V)
  - 3x Digital (parametrierbar)
- Interface: RS-232

#### Frequency converter for control cabinet installation

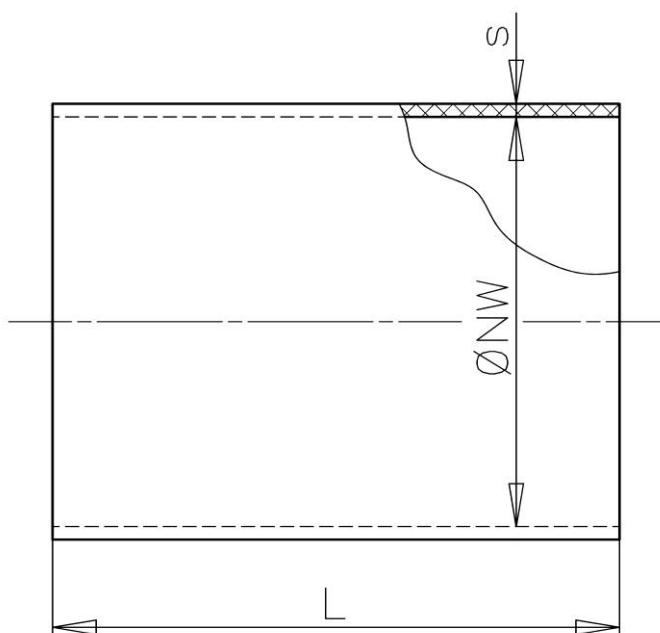
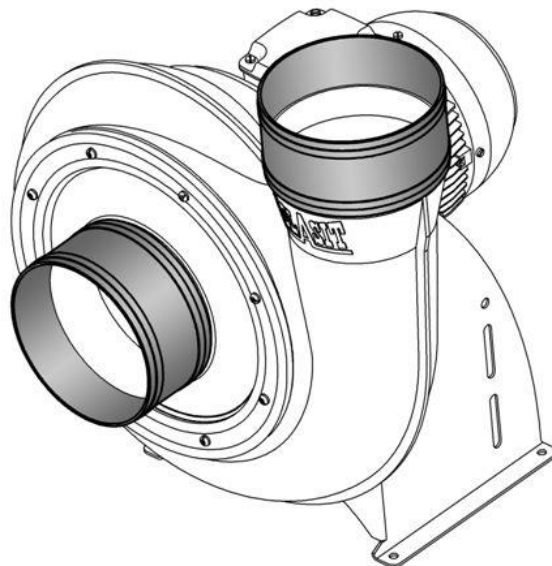


- Protection class IP 20
- 0.25-7.5 kW
- Stepless speed adjustment through:
  - integrated control panel
  - external control signal
- Inputs:
  - 1x Analog 0...10V
  - 4x Digital (parametrierbar)
- Interface: RS-232 (RS-485)



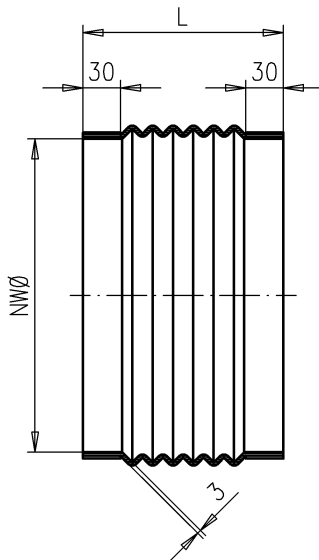
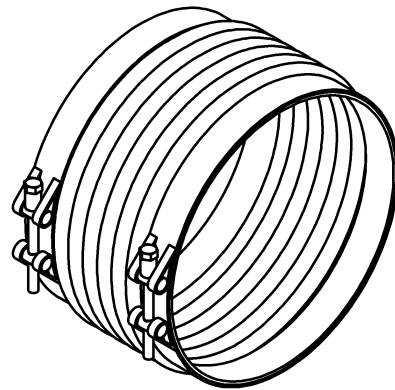
- Protection class t IP 20
- 11-200 kW
- Stepless speed adjustment through:
  - integrated control panel
  - external control signal
- Inputs:
  - 2x Analog 0...10V
  - 6x Digital (parametrierbar)
- Interface: RS-232 (RS-485)

Cuff round with stainless tension straps (obligatory accessory)



NW $\varnothing$	L	s
125-315	100	2
400	125	3

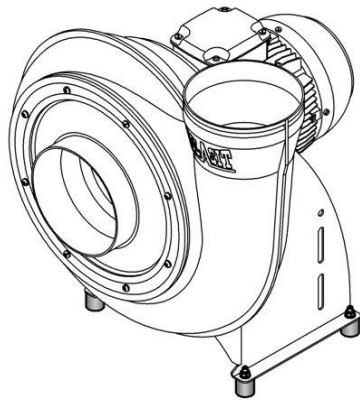
**Bellows electrically conductive (mandatory for ATEX version)**



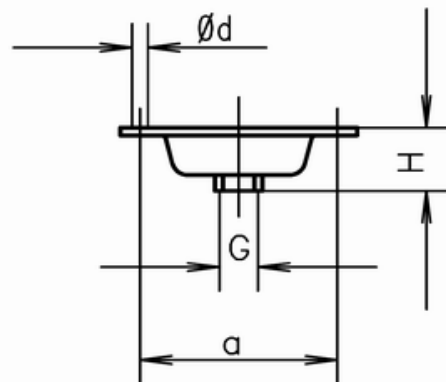
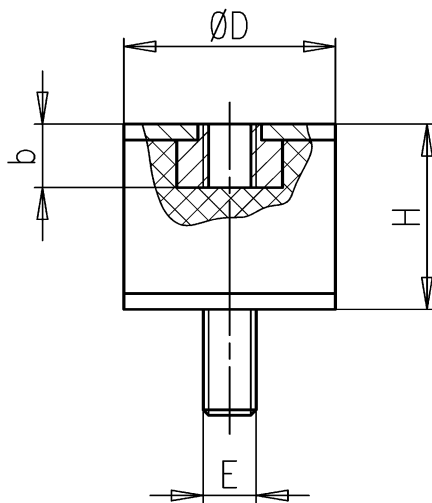
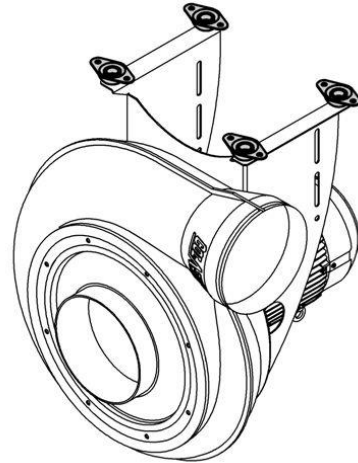
NW Ø	L
125 - 200	155
250 - 400	160

Vibration damper for floor/ceiling mounting (mandatory accessory)

Floor mounting version



Ceiling mounting version

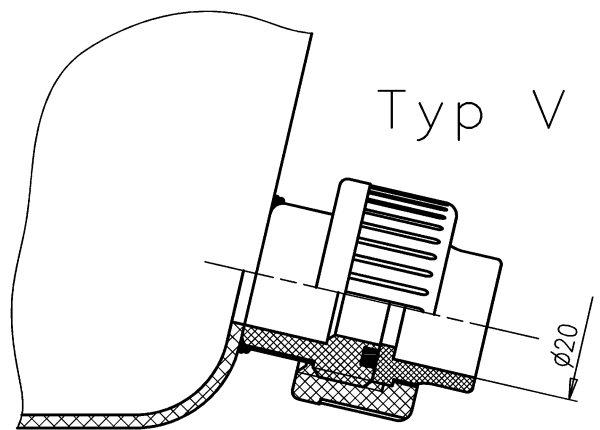
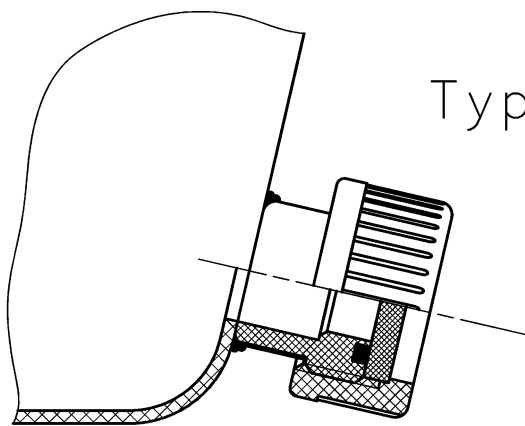
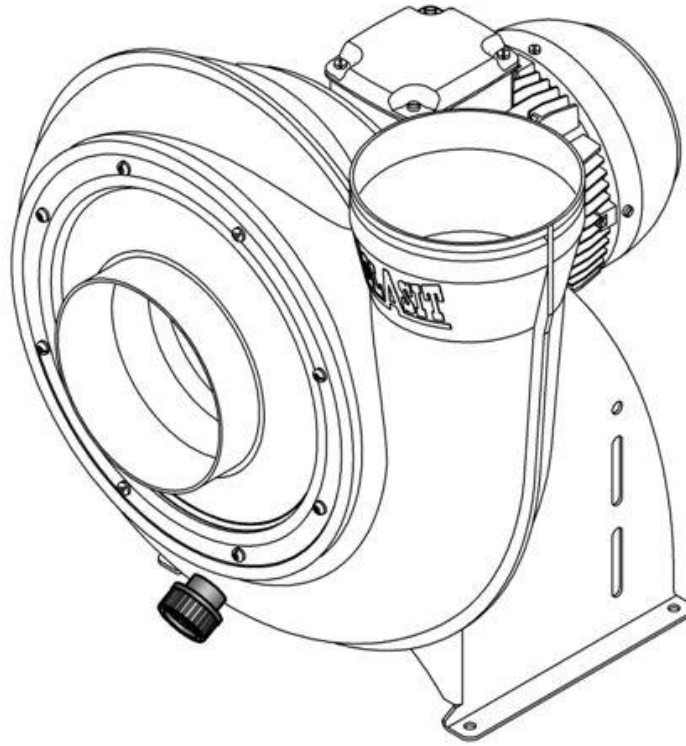


Vibration-Damper Type	Dimensions				
	D	H	E	I	b
V 8/30	30	30	M8	20	7
V 8/40	40	40	M8	23	7

Bell element Type	Dimensions			
	H	G	a	d
G-E6	33	M6	58	6,5
E-E10	30	M10	85	10,5

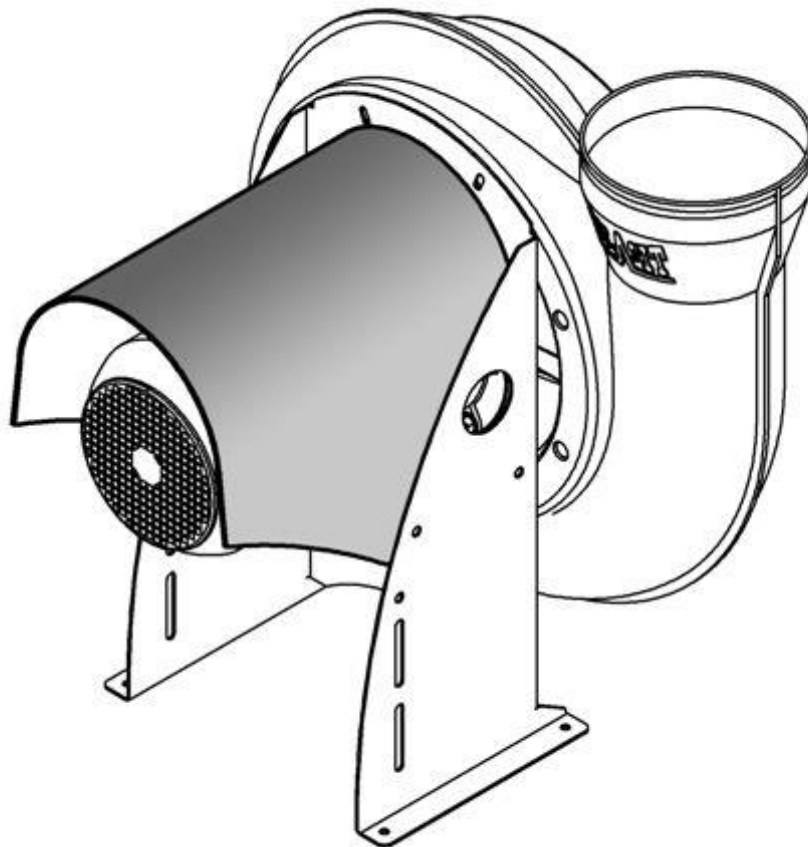
Ventilator Type	Floor mounting	Roof mounting	Nbr. Of elements
CMVpro 125-200	V 8/30	G-E 6	4
CMVpro 250-400	V 8/40	G-E 10	4

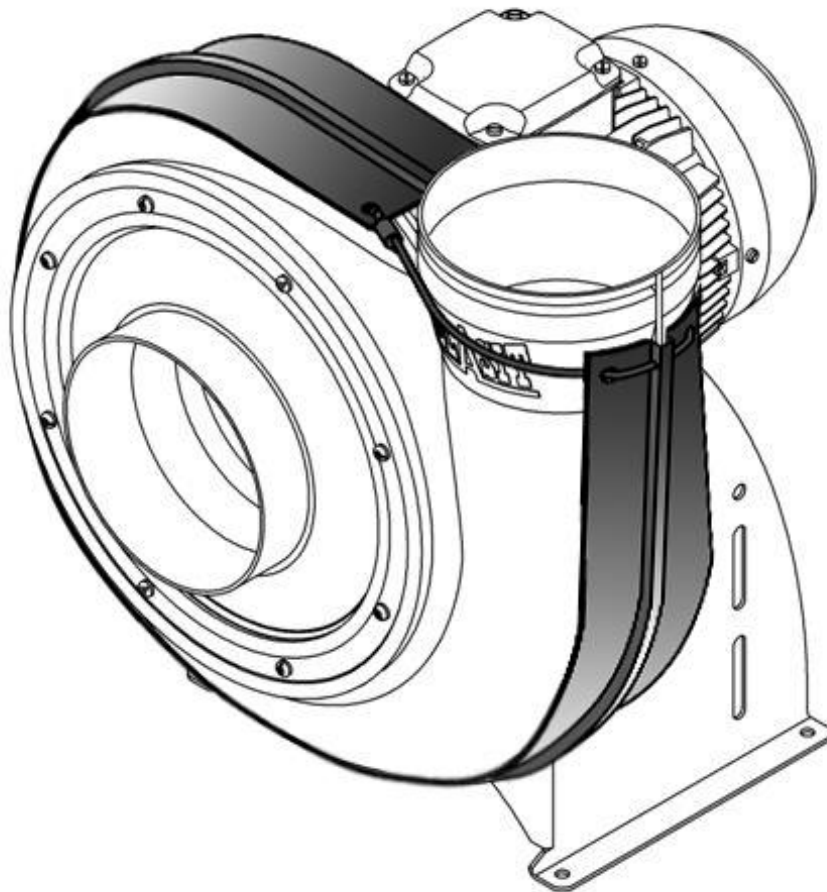
Condensate connection (option)



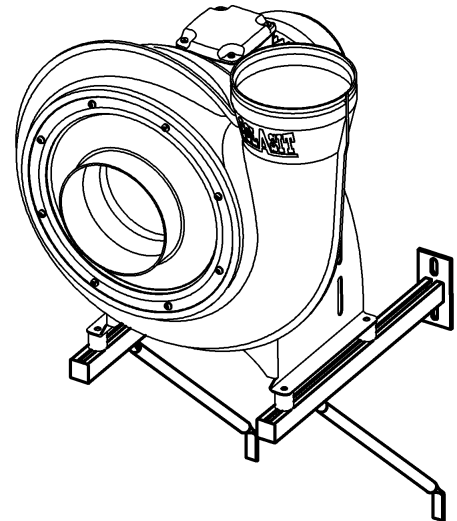
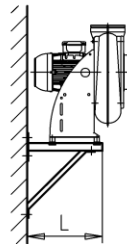
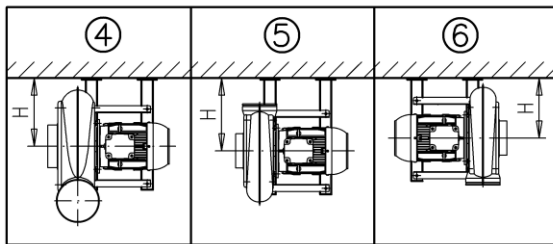
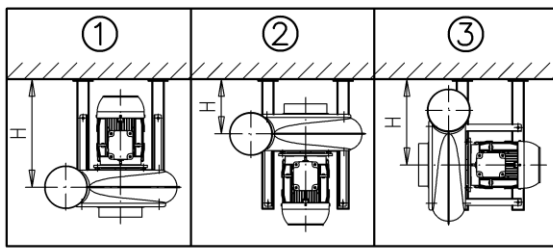
Ventilator Type	With Cap	With screw connection
CMVpro 125-400	Typ K	Typ V (for connection to siphon)

**Motor cover**



**Splinter shield (obligatory accessory)**

Wall brackets

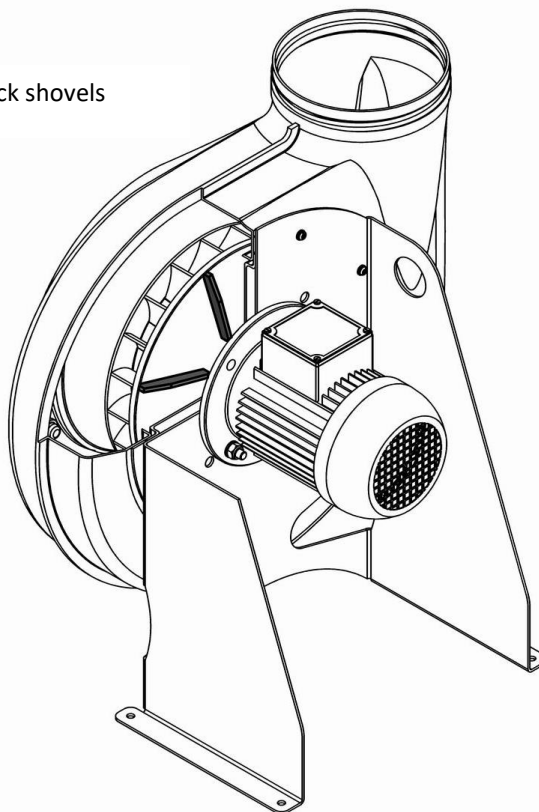


		Mounting position					
		1	2	3	4	5	6
CMVpro 125	L	500	500	500	500	500	500
	H	420	180	310	270	300	290
CMVpro 160	L	500	500	500	500	500	500
	H	430	180	330	290	300	300
CMVpro 200	L	500	750	750	500	750	750
	H	490	290	470	290	440	440
CMVpro 250	L	750	750	750	750	750	750
	H	690	290	490	420	450	450
CMVpro 315	L	750	750	1000	750	1000	1000
	H	710	280	640	430	580	600
CMVpro 400	L	750	1000	1000	1000	1000	1000
	H	790	400	670	560	580	610

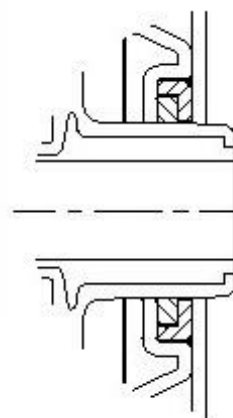
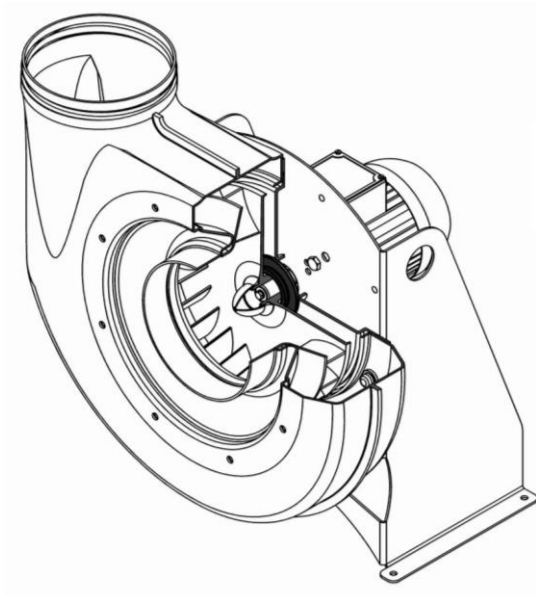


Hub seal

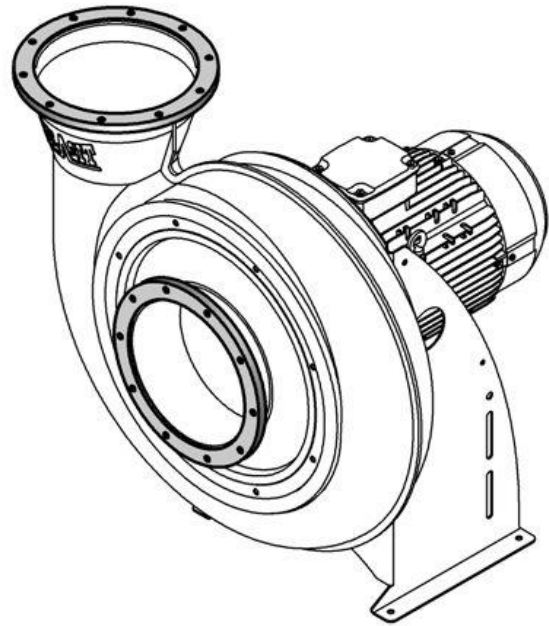
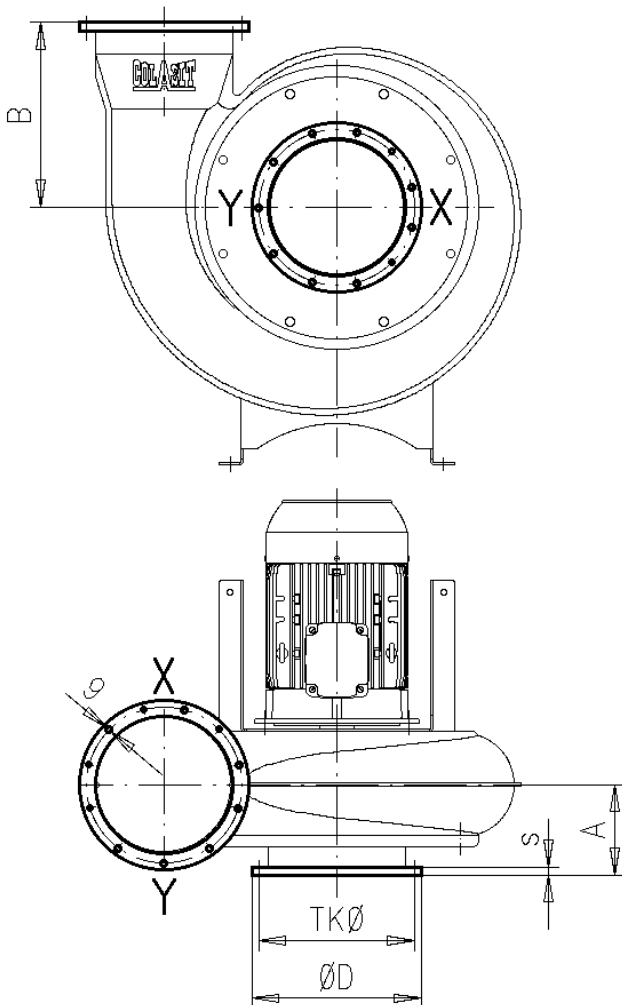
Back shovels



Hub seal (Felt)



## Flanged nozzle



	A	B	Ø D	Tk Ø	s	Anz. Ø9	Lochbild
CMVpro 125	125	205	185	160	12	6	Y
CMVpro 160	125	230	220	195	12	8	X
CMVpro 200	140	280	260	235	12	10	Y
CMVpro 250	160	335	310	285	15	10	Y
CMVpro 315	200	405	375	350	15	12	X
CMVpro 400	225	430	480	445	15	18	Y